



User Manual

AUTO XS

RECHARGEABLE SPOTLIGHT



Please read these instructions thoroughly before using, then store in a safe place for future reference.



SAFETY INFORMATION

This is not a toy. Keep it out of reach from small children.

Do not use spotlight when it is charging.

Never look directly into the spot light when illuminated.

Electrical requirements for the adaptor: 100-240 V, 50/60 Hz



BATTERY REPLACEMENT INSTRUCTIONS

When replacing the battery, be sure to:

- Unscrew the front cover of the light and disconnect the wire plug from the heat dissipation. (see Figure A & B)
- Unscrew the rear cover and take out the battery housing by removing 2 screws behind the rear cover. (see Figure A & C)
- Use rechargeable battery only. Battery specification is Li-ion 3.7 V 2200 mAh, 1 pc is needed.
- Observe the correct polarity (+ and -) when installing the replacement battery.
- **IMPORTANT:** Dispose of the Lithium ion battery in accordance with local, state and federal regulations.

THE CONTENT INCLUDED:

Hand strap X 1

Adaptor (1000 mA) X 1

Car adaptor (1000 mA) X 1

Whistle X 1

Warranty Card X 1

Instruction Manual X 1

SPECIFICATIONS:

LED type: COB

Two brightness levels: 100% (approx. 300 Lumen) and 50% (approx. 150 Lumen)

- Working time with 100% brightness levels mode \geq 90 min.
- Working time with 50% brightness levels mode \geq 210 min

Battery type: Li-ion, 18650, 3.7 V 2200 mAh

Colour temperature: 5000-6500 K

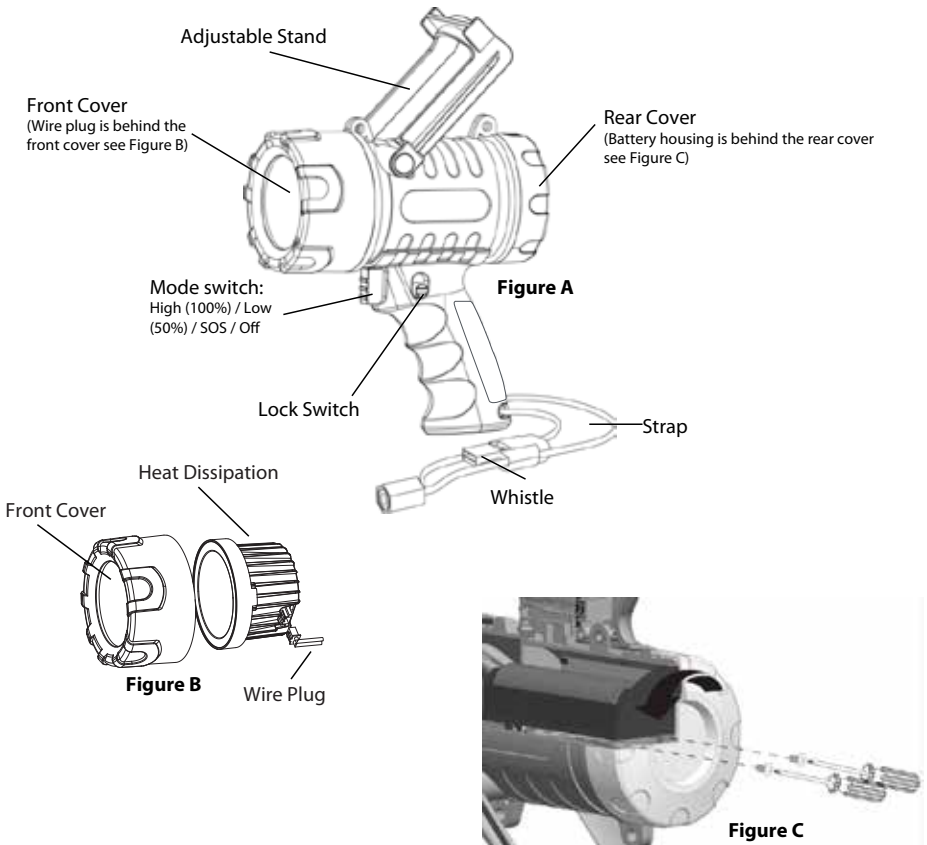
Beam distance: 300 m

Dimensions (L x W x H): 14.61 x 15.49 x 7.75 cm

IP44 rated weatherproof

AC charging time: 1.5 - 4 hrs

DC charging time: 1.5 - 4 hrs



Magnetically controlled switch with three functions and lock:

OPERATING

- Lock Switch: Lock/Unlock by pushing this switch upwards/downwards to maintain your preferred mode function.
- Mode Switch:
 - 1 x press: 100% brightness (approx. 300 Lumen)
 - 2 x press: 50% brightness (approx. 150 Lumen)
 - 3 x press: SOS
 - 4 x press: Off

Warning: The light source contained in this luminaire shall only be replaced by the manufacturer, service agent or a similar qualified person.



Great care has gone into the manufacture of this product and it should therefore provide you with years of good service when used properly. In the event of product failure within its intended use over the course of the first 3 years after date of purchase, we will remedy the problem as quickly as possible once it has been brought to our attention. In the unlikely event of such an occurrence, or if you require any information about the product, please contact us via our helpline support services, details of which are to be found both in this manual and on the product itself.



PRODUCED IN CHINA FOR:

ALDI STORES LTD., PO BOX 26, ATHERSTONE
WARWICKSHIRE CV0 2SH.

ALDI STORES (IRELAND) LTD.,
PO BOX 726, NAAS, CO. KILDARE.

Visit us at www.aldi.com

AFTER SALES SUPPORT		802296
	GB 01924 481053	IE 00 44 1924 481053
	customerservice@jaleno.com	
MODEL: FS-2017-IB	12/2020	

1 YEAR WARRANTY
