

User Manual



RECHARGEABLE SPOTLIGHT



Please read these instructions thoroughly before using, then store in a safe place for future reference.



SAFETY INFORMATION

This is not a toy. Keep it out of reach from small children.

Do not use spotlight when it is charging.

Never look directly into the spotlight when illuminated.

Electrical requirements for the adaptor: 100-240 V, 50/60 Hz



BATTERY REPLACEMENT INSTRUCTIONS

When replacing the battery, be sure to:

- Unscrew the front cover of the light and disconnect the wire plug from the heat dissipation. (see Figure A & B)
- Unscrew the rear cover and take out the battery housing by removing 2 screws behind the rear cover. (see Figure A & C)
- Use rechargeable battery only. Battery specification is Li-ion 3.7 V 2200 mAh, 1 pc is needed.
- Observe the correct polarity (+ and -) when installing the replacement battery.
- **IMPORTANT:** Dispose of the Lithium ion battery in accordance with local, state and federal regulations.

THE CONTENT INCLUDED:

Hand strap X 1

Adaptor (1000 mA) X 1

Car adaptor (1000 mA) X 1

Whistle X 1

Warranty Card X 1

Instruction Manual X 1

SPECIFICATIONS:

LED type: COB

Two brightness levels: 100% (approx. 300 Lumen) and 50% (approx. 150 Lumen)

- Working time with 100% brightness levels mode ≥ 90 min.
- Working time with 50% brightness levels mode ≥ 210 min

Battery type: Li-ion, 18650, 3.7 V 2200 mAh

Colour temperature: 5000-6500 K

Beam distance: 300 m

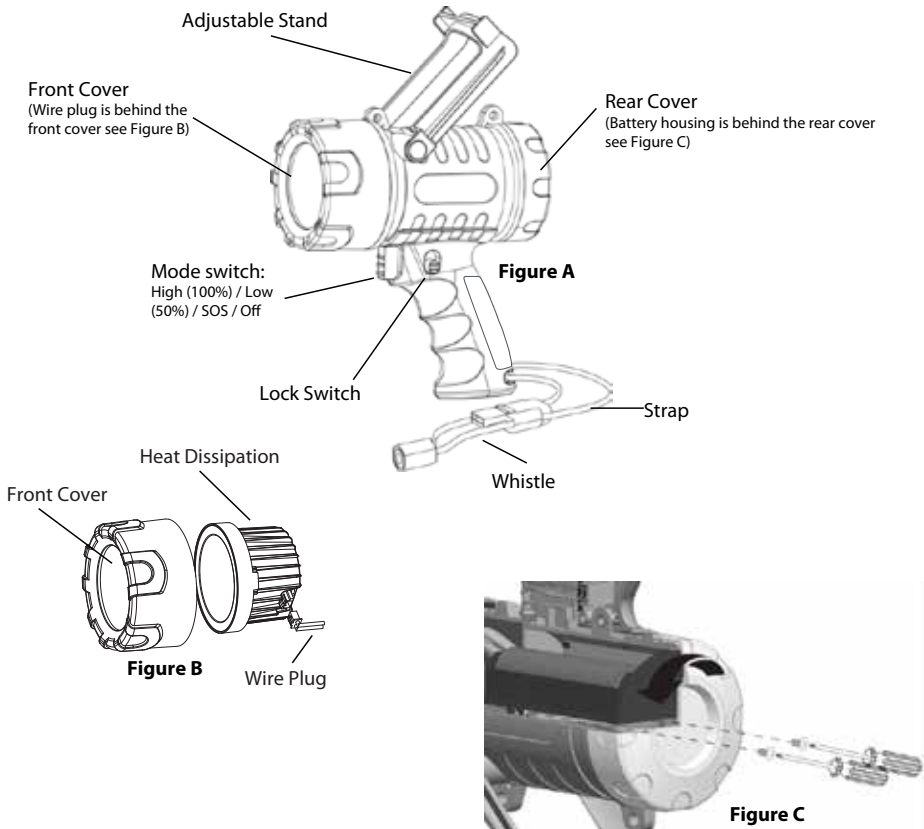
Dimensions (L x W x H): 14.61 x 15.49 x 7.75 cm

IP44 rated weatherproof

AC charging time: 1.5 - 4 hrs

DC charging time: 1.5 - 4 hrs

Ambient temperature: 25°C



Magnetically controlled switch with three functions and lock:

OPERATING

- Lock Switch: Lock/Unlock by pushing this switch upwards/downwards to maintain your preferred mode function.
- Mode Switch:
 - 1 x press: 100% brightness (approx. 300 Lumen)
 - 2 x press: 50% brightness (approx. 150 Lumen)
 - 3 x press: SOS
 - 4 x press: Off

Warning: The light source contained in this luminaire shall only be replaced by the manufacturer, service agent or a similar qualified person.

ALDI guarantees that our exclusive brand products are developed to our stringent quality specifications. If you are not entirely satisfied with this product, please return it to your nearest ALDI store within 60 days from the date of purchase for a full refund or replacement, or take advantage of our after sales support by calling the supplier's Customer Service Hotline.

AU

Made in China

Lightway® is a registered trademark of ALDI Stores

IMPORTED BY:

ALDI STORES

1 SARGENTS ROAD

MINCHINBURY NSW 2770

www.aldi.com.au

AFTER SALES SUPPORT

802296



AU (02) 8091 3507



customerservice@jaleno.com

MODEL:
FS-2017-1B

11/2020

1

YEAR
WARRANTY